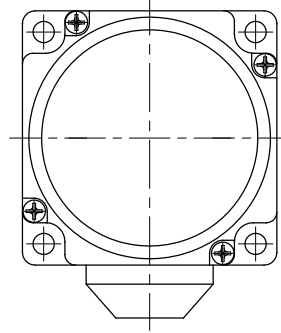
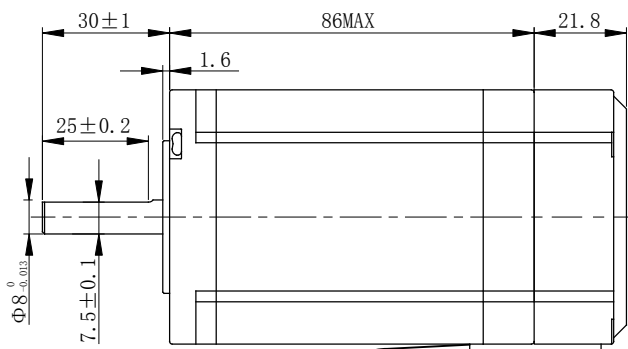
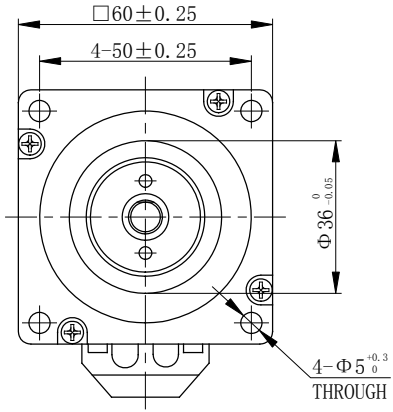
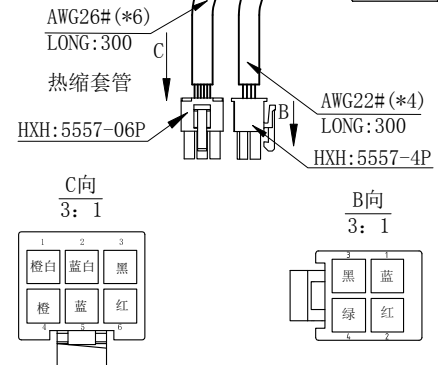


尺寸/Dimensions 单位/Unit=mm



编码控制(1000线)
Encode Control (1000CPR)

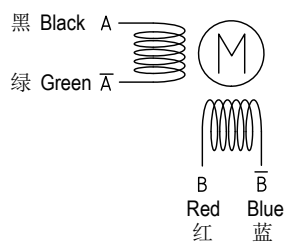
1	BLACK	EGED
2	RED	+5VCC
3	BLUE/WHITE	EA-
4	BLUE	EA+
5	ORANGE/WHITE	EB-
6	ORANGE	EB+



电动机规格书/Motor Specification

步进角/STEP ANGLE	1.8°
相数/NO. OF PHASES	2
额定电压/RATED VOLTAGE	2.4 V
额定电流/RATED CURRENT	5.0 A
电阻/RESISTANCE	0.43 Ω ±10%
电感/INDUCTANCE	1.8 mH ±20%
保持力矩/HOLDING TORQUE	3.0N.m
绝缘耐压/DIELECTRIC STRENGTH	500V A.C
绝缘电阻/INSULATION RESISTANCE	100 MΩ 以上/MIN.
绝缘等级/INSULATION CLASS	B
温度上升/TEMPERATURE RISE	80K MAX.
转子惯量/ROTOR INERTIA	690g.cm ²
重量/WEIGHT	1.44Kg
允许轴向负载/ALLOWABLE THRUST LOAD	90N
允许径向负载/ALLOWABLE RADIAL LOAD	300N (ON THE SHAFT END)
运行环境温度/OPERATION AMBIENT TEMP	0° C---+50° C
运行环境湿度/OPERATION AMBIENT HUM	20%---90%
寿命/LIFE	5000 HOURS

接线图/Wiring Diagram



励磁顺序 (2相励磁) /Phase Sequence(2 Phase Exciting)

CW	STEP	A	B	Ā	B̄	CCW
	1	+	+	-	-	
	2	-	+	+	-	
	3	-	-	+	+	
	4	+	-	-	+	
5	+	+	-	-		

从安装面看为顺时针方向 CLOCKWISE VIEW FROM MOUNTING SIDE

型号/Model

SS2403A50F1000 (N)

SAMSR MOTOR

第三角画法
First Angle View

F	批准 Approved	审核 Checked	设计 Designed	材质 Material	-----	
				表面处理 Finish	-----	
				公差 Tolerance	±0.2	NO. 056217
	设计 Designed	日期 Date	制图 Drawn	比例 Scale	1:2	页 Sheet 1/1

初版/First Edition
变更内容
Revisions