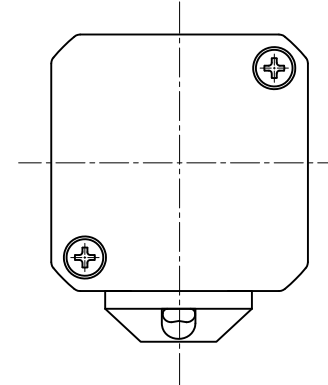
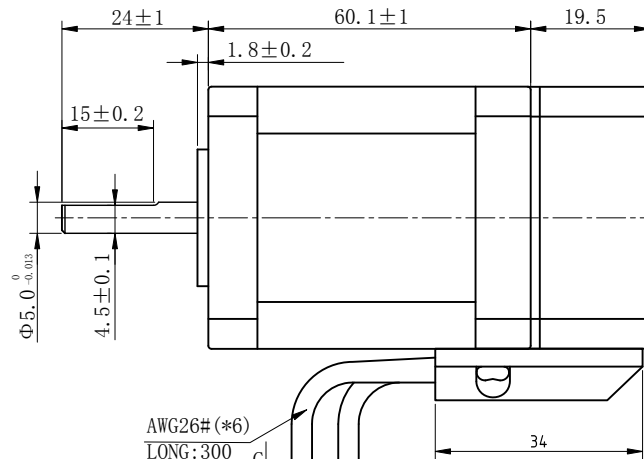
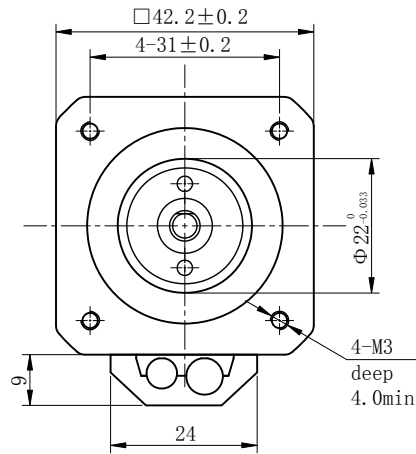
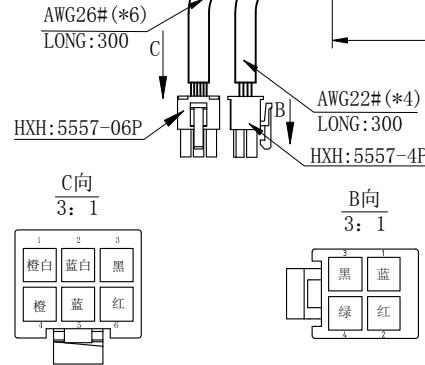


尺寸/Dimensions 单位/Unit=mm



编码控制 (1000线)  
Encode Control (1000CPR)

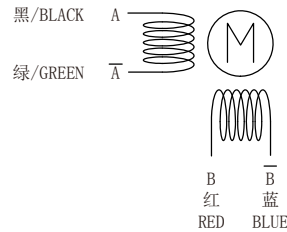
1	Black	EGED
2	Red	+5VCC
3	Blue/White	EA-
4	Blue	EA+
5	Orange/White	EB-
6	Orange	EB+



电动机规格书/Motor Specification

步进角/STEP ANGLE	1.8°
相数/NO. OF PHASES	2
额定电压/RATED VOLTAGE	3.6 V
额定电流/RATED CURRENT	2.0 A
电阻/RESISTANCE	1.75 ohm±10%
电感/INDUCTANCE	4.0 mH±20%
保持力矩/HOLDING TORQUE	0.72N.m
绝缘耐压/DIELECTRIC STRENGTH	500V A.C
绝缘电阻/INSULATION RESISTANCE	100 MΩ 以上/MIN.
绝缘等级/INSULATION CLASS	CLASS B
温度上升/TEMPERATURE RISE	80K MAX.
转子惯量/ROTOR INERTIA	110g.cm²
重量/WEIGHT	0.56Kg
允许轴向负载/ALLOWABLE THRUST LOAD	24N
允许径向负载/ALLOWABLE RADIAL LOAD	72N (ON THE SHAFT END)
运行环境温度/OPERATION AMBIENT TEMP	0° C---+50° C
运行环境湿度/OPERATION AMBIENT HUM	20%---90%
寿命/LIFE	5000 HOURS

接线图/Wiring Diagram



励磁顺序 (2相励磁) /Phase Sequence (2 Phase Exciting)

CCW	STEP	A	B	Ā	B̄	CW
	1	+	+	-	-	
	2	-	+	+	-	
	3	-	-	+	+	
	4	+	-	-	+	
1	+	+	-	-		

从安装面看为顺时针方向 CLOCKWISE VIEW FROM MOUNTING SIDE

型号/Model



SS1705A20F1000 (N)

SAMSR MOTOR

第三角画法  
First Angle View

F					批准 Approved	审核 Checked	设计 Designed	材 质 Material	-----	
E								表面处理 Finish	-----	
D								公差 Tolerance	±0.2	NO. 056217
C								比例 Scale	1:2	页 Sheet 1/1
B										
A										
版本 Edition		初版/First Edition	变更内容 Revisions	设计 Designed	日期 Date	制图 Drawn	WY	2019.11.01		