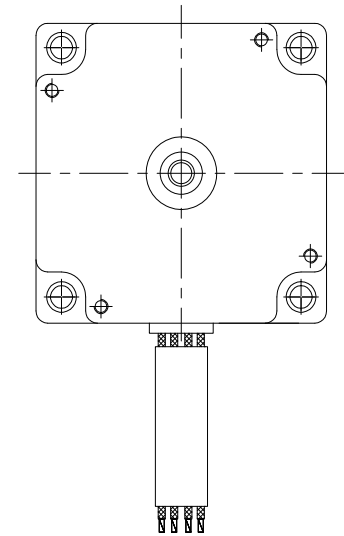
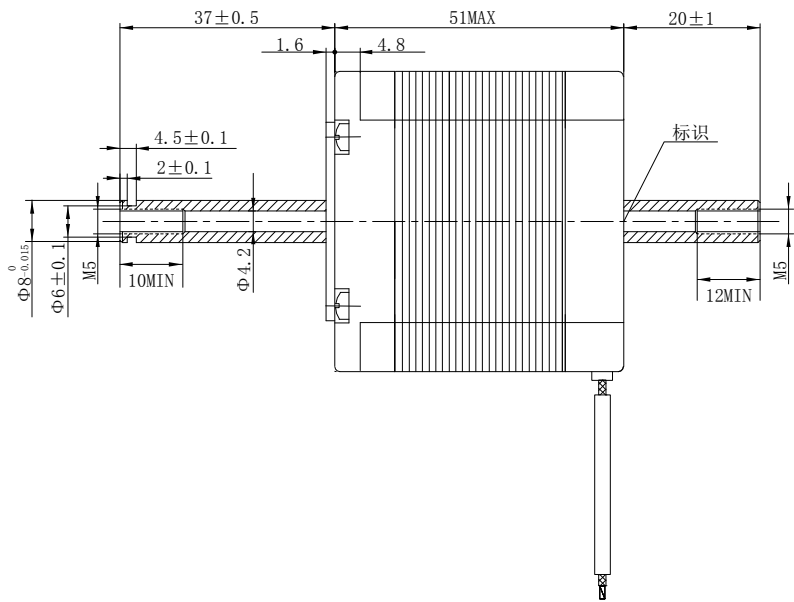
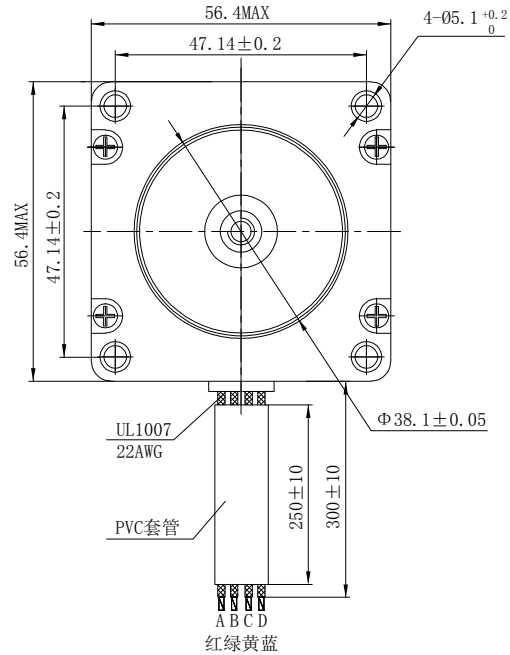


尺寸/Dimensions 单位/Unit=mm



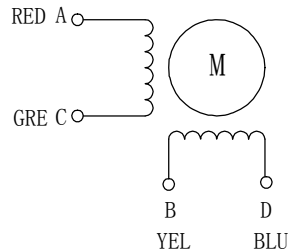
电动机规格书/Motor Specification

接线图/Wiring Diagram

励磁顺序(2相励磁)/Phase Sequence(2 Phase Exciting)

型号/Model

步进角/STEP ANGLE	1.8°
相数/NO. OF PHASES	2
额定电压/RATED VOLTAGE	2.3 V
额定电流/RATED CURRENT	2.8 A
电阻/RESISTANCE	0.83ohm±10%
电感/INDUCTANCE	2.2 mH±20%
保持力矩/HOLDING TORQUE	1.1N.m
绝缘耐压/DIELECTRIC STRENGTH	500V A.C 1分钟/MINUTE
绝缘电阻/INSULATION RESISTANCE	100 MΩ以上/MIN.
绝缘等级/INSULATION CLASS	CLASS B
温度上升/TEMPERATURE RISE	80K MAX.
转子惯量/ROTOR INERTIA	230g.cm ²
重量/WEIGHT	640g
允许轴向负载/ALLOWABLE THRUST LOAD	10N
允许径向负载/ALLOWABLE RADIAL LOAD	21N (ON THE SHAFT END)
运行环境温度/OPERATION AMBIENT TEMP	-20° C--+50° C
运行环境湿度/OPERATION AMBIENT HUM	15%--95%
寿命/LIFE	5000 HOURS



STEP	A	B	\bar{A}	\bar{B}	
1	+	+	-	-	CCW ↑
2	-	+	+	-	
3	-	-	+	+	
4	+	-	-	+	

从安装面看为顺时针方向 CLOCKWISE VIEW FROM MOUNTING SIDE

SS2302A30G

SAMSR MOTOR

第三角画法 First Angle View

F	批准 Approved	审核 Checked	设计 Designed	材质 Material	-----	
D				表面处理 Finish	-----	
C				公差 Tolerance	±0.2	NO. 056217
B				比例 Scale	1:2	页 Sheet
A	设计 Designed	日期 Date	制图 Drawn	WY	2020.04.29	
版本 Edition	初版/First Edition 变更内容 Revisions					