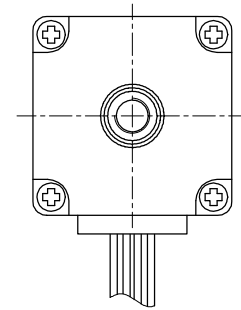
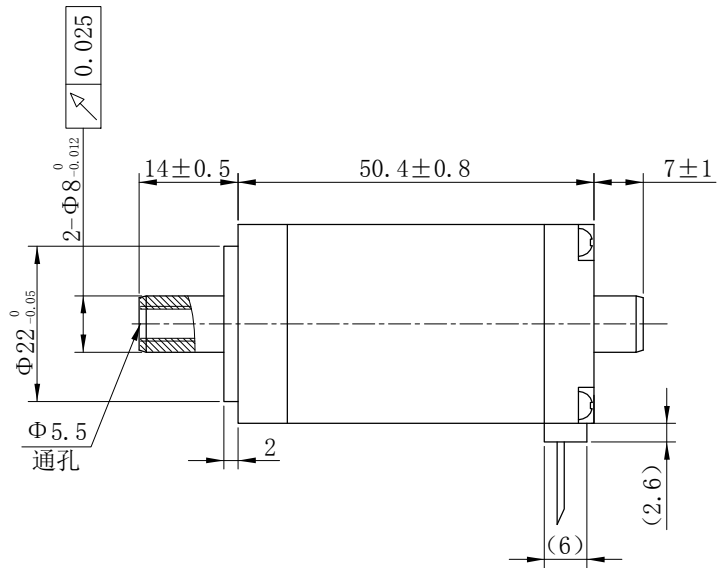
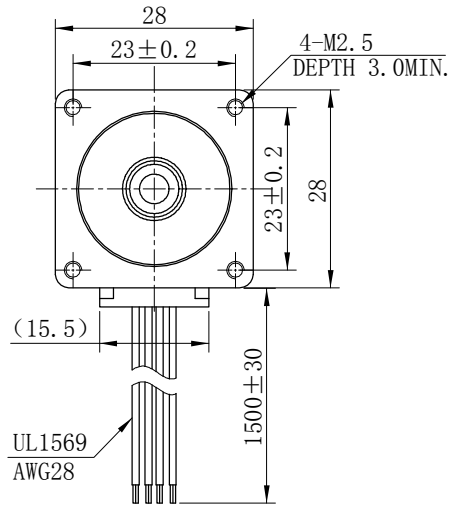


尺寸/Dimensions 单位/Unit=mm

RoHS COMPLIANT



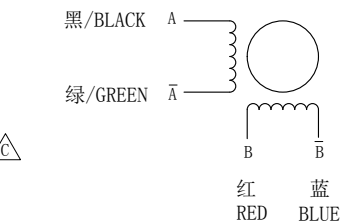
电动机规格书/Motor Specification

接线图/Wiring Diagram

励磁顺序(2相励磁)/Phase Sequence(2 Phase Exciting)

型号/Model

步进角/STEP ANGLE	1.8° ±5%
相数/NO. OF PHASES	2
额定电压/RATED VOLTAGE	4.6 V
额定电流/RATED CURRENT	0.8 A
电阻/RESISTANCE	5.7 ohm±10%
电感/INDUCTANCE	5.0 mH±20%
保持力矩/HOLDING TORQUE	0.14N.m
绝缘耐压/DIELECTRIC STRENGTH	500V A.C 1分钟/MINUTE
绝缘电阻/INSULATION RESISTANCE	100 MΩ以上/MIN.
绝缘等级/INSULATION CLASS	CLASS B
温度上升/TEMPERATURE RISE	80K MAX.
转子惯量/ROTOR INERTIA	22g.cm ²
重量/WEIGHT	200 g
允许轴向负载/ALLOWABLE THRUST LOAD	3N
允许径向负载/ALLOWABLE RADIAL LOAD	25N (ON THE SHAFT END)
运行环境温度/OPERATION AMBIENT TEMP	-20° C—+50° C
运行环境湿度/OPERATION AMBIENT HUM	15%—95%
寿命/LIFE	5000 HOURS



STEP	A	B	Ā	B̄	
1	+	+	-	-	CCW
2	-	+	+	-	
3	-	-	+	+	
4	+	-	-	+	

从安装面看为顺时针方向 CLOCKWISE VIEW FROM MOUNTING SIDE

SS1102A08G

SAMSR MOTOR

第三角画法 First Angle View

F					批准 Approved	审核 Checked	设计 Designed	材质 Material	-----	
E								表面处理 Surface Finish	-----	
D								公差 Tolerance	±0.2	NO. 056217
C								比例 Scale	1:2	页 Sheet 1/1
B										
A										
版本 Edition	初版/First Edition	变更内容 Revisions	设计 Designed	日期 Date	制图 Drawn	WY	2020.04.29			