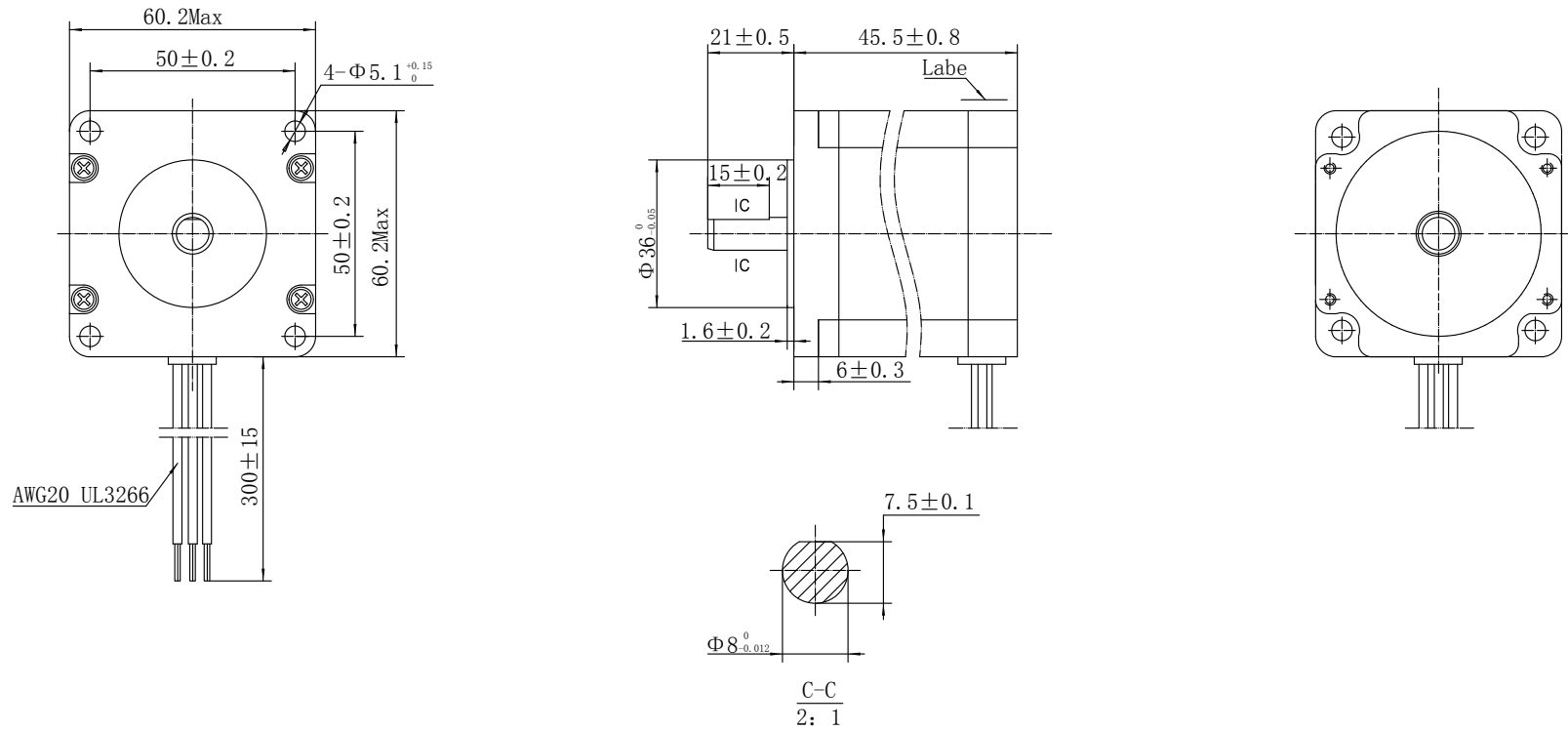


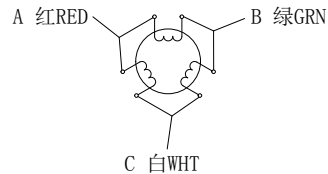
尺寸/Dimensions 单位/Unit=mm



电动机规格书/Motor Specification

步进角/STEP ANGLE	1.2°
相数/NO. OF PHASES	3
额定电压/RATED VOLTAGE	1.5 V
额定电流/RATED CURRENT	5.8 A
电阻/RESISTANCE	0.26 ohm±10%
电感/INDUCTANCE	0.45 mH±20%
保持力矩/HOLDING TORQUE	0.54 N.m
绝缘耐压/DIELECTRIC STRENGTH	500V A.C
绝缘电阻/INSULATION RESISTANCE	100 MΩ 以上/MIN.
绝缘等级/INSULATION CLASS	B
温度上升/TEMPERATURE RISE	80K MAX.
转子惯量/ROTOR INERTIA	180 g.cm ²
重量/WEIGHT	0.5 Kg
允许轴向负载/ALLOWABLE THRUST LOAD	51N
允许径向负载/ALLOWABLE RADIAL LOAD	170N (ON THE SHAFT END)
运行环境温度/OPERATION AMBIENT TEMP	-20° C---+50° C
运行环境湿度/OPERATION AMBIENT HUM	15%---90%
寿命/LIFE	5000 HOURS

接线图/Wiring Diagram



励磁顺序 (3相励磁) /Phase Sequence(3 Phase Exciting)

STEP	A	B	C	
1	+	-		CCW ↑
2		-	+	
3	-		+	
4	-	+		
5		+	-	
6	+		-	

从安装面看为顺时针方向 CLOCKWISE VIEW FROM MOUNTING SIDE

型号/Model



SS2401C58A

SAMSR MOTOR

第三角画法
First Angle View

F					批准 Approved	审核 Checked	设计 Designed	材 质 Material	-----
E								表面处理 Finish	-----
D								公差 Tolerance	±0.2
C								NO.	056217
B								比例 Scale	1:2
A								页 Sheet	1/1
版本 Edition		初版/First Edition			设计 Designed	日期 Date	制图 Drawn	WY	2019.11.01
		变更内容 Revisions							

SAMSR MOTOR 19-11-01 柳芝	SAMSR MOTOR 19-11-01 邹志林	SAMSR MOTOR 19-11-01 赖芳芳
-------------------------------	--------------------------------	--------------------------------